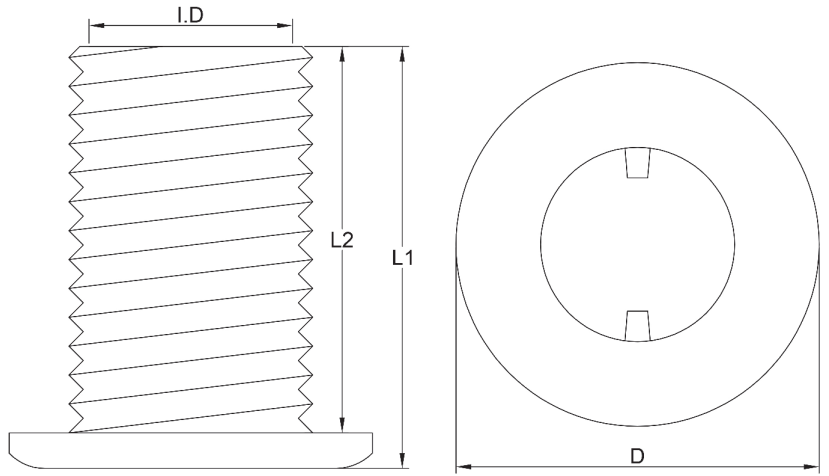


304/316 Stainless Steel Fitting



304/316 Stainless Steel Thru-Hull

Specification	Model No.	L1	Thread-BSPP				
3/4"	CH60006	70	26.4				
1"	CH60010	72	33.3				
1-1/4"	CH60012	78	41.9				
1-1/2"	CH60014	79	47.8				
2"	CH60020	95	59.6				
2-1/2"	CH60024	116	75.2				
3"	CH60030	120	87.9				

